

SLK20R

USB Fingerprint Scanner

Slim design

Live detection function



Overview

SLK20R is a leading fingerprint scanner designed by ZKTeco USA laboratory which adopts the advanced optical design. It has a superior ability to do live fingerprint detection and capture high-quality fingerprint images by 2 Megapixel camera. It can be the most comfortable and affordable desktop enrollment and identification device.

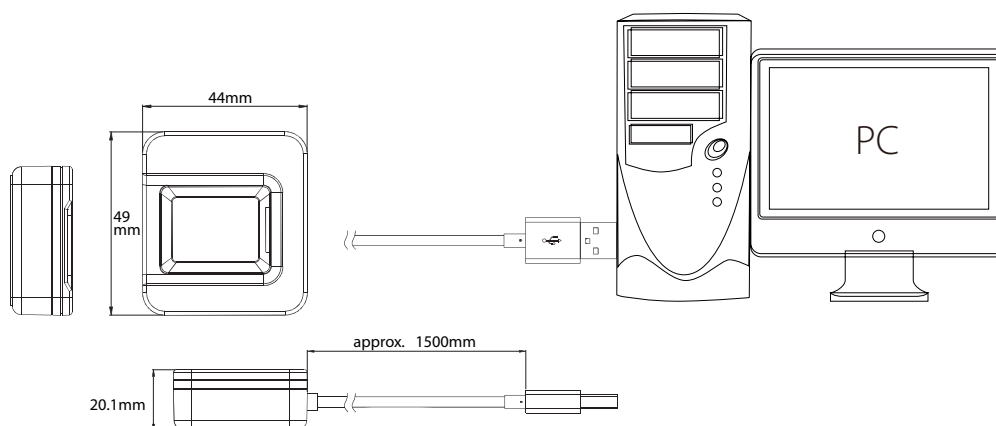
Features

- Stable operation under strong light
- Support live fingerprint detection function
- Large fingerprint capture area and high image performance
- Quick recognition of dry, wet and rough fingerprints
- High Speed USB 2.0
- Low Power Idle Mode
- Vailable SDK for development

Specifications

Model Name	SLK20R
Material	Optical
CPU	280MHz DSP
Flash	32 MB
SoC	RTOS[image out only]
Image Quality	2 million pixels CMOS
Encrypted Fingerprint Data	YES
Sunlight Operation	Yes, Dark field and Automatic Gain / Exposure
Water Splash	YES
Dry, Wet, or Rough Fingerprints	Work well
Power Consumption	5V:200mA Scanning;5V:60mA idle (waiting for finger)
Live Fingerprint Detection	YES
LED	White
Product Certifications	FCC, CE, RoHS, PIV
Power Voltage	5V (USB)
Power Current	200mA
Communication	USB 2.0 / USB1.1
Interface Socket	USB Type A
Image Resolution	500~1000 dpi
Effective Collecting Area	15.24 * 20.32 mm (FAP20)
Collecting Area	16.5 * 23 mm
Image Size	300 * 400 pixel (FAP20)
Dimension	49 * 44 * 20.1mm (L*W*H)
Image Format	RAW, BMP, JPG
Template	ZKFinger V10.0 ; ISO19794-2 ; ANSI-378
Template Size	1- 4KB (ZKFinger V10.0);1568 B (ISO 19794-2)
Gray Level	256
Weight	0.12kg
Operating Environment	-20 °C ~ +50 °C; 90% r.h.

Configuration



© Copyright 2017. ZKTECO CO.,LTD. ZKTeco Logo is a registered trademark of ZKTeco or a related company. All other product and company names mentioned are used for identification purposes only and may be the trademarks of their respective owners. All specifications are subject to change without notice. All rights reserved.