

25X 8MP 150m IR Network Smart PTZ



TD-8483IS2N (PE/25M/AR15)

8MP	H.265	VCA	Smart tracking
Perimeter	PoE+	IP66	150m

System

TD-8483IS2N(PE/25M/AR15) PTZ which adopts SONY latest 4K images sensor, with high quality 25x optical zoom lens, could deliver top-notch 3840x2160@30fps image details over a wide open area. H.265 video compression reduces bit rate down to 50% of H.264 without loss. With its built-in 1.5Tops AI engine, the PTZ camera could detect and classify max 15 objects per scene. When any of them intrude restricted area, the PTZ camera will trace, zoom fit in center of screen, snap and record and trigger alert. The gimbal rotation speed is improved for tracing fast object. The IR brightness is enhanced 200%, which improves night vision distance above 150m. This PTZ conforms to the ONVIF specifications ensuring interoperability between network video products regardless of manufacturers, and also complies with NDA A 2019. The TD-84x3IS2N series PTZ has enhanced body material, built-in turbo fan and heater for 7/24H work in outdoor weather, This series has also added alarm and audio interface, etc. With excellent picture quality and good protection, the PTZ could meet the demand of small size of surveillance application.

Key Spec:

- 1/2.8" SONY progressive scan CMOS
- Up to 3840x2160 resolution
- Mini illumination:
 - Color: 0.01 lux @ (F1.65 AGC ON)
 - 0 Lux with IR
- 25x optical zoom, 16x digital zoom
- HDR, 3D DNR, Smart IR 150m
- Smart H.265/H.264+/H.264
- Intelligent Video content analytics
- Smart tracking of human/vehicle
- Smart detection and perimeter protection
- ONVIF, API and SDK
- PoE+ and DC12V
- IP66,-40 °C~60 °C, ADC12 & PC/GF

Application:

Wide range area intrusion, perimeter protection and alarm, such as parks, scenic spots, stations and venues, industrial park.

SPECIFICATION:

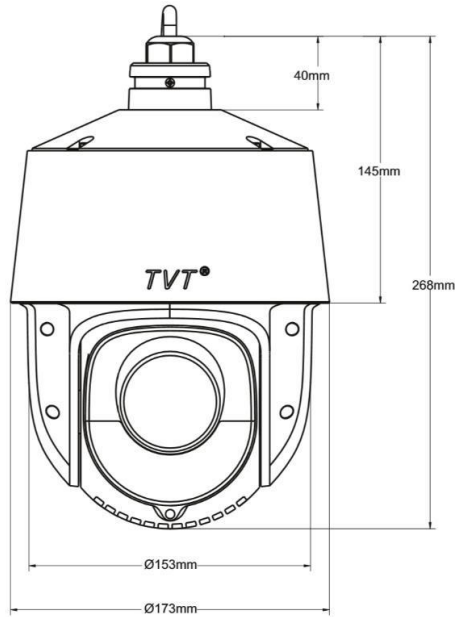
Camera Module					
Image sensor	1/2.8"SONY latest progressive scan CMOS				
Max resolution	3840x2160				
Mini. Illumination	Color: 0.01Lux @ (F1.65, AGC ON); B/W: 0.002Lux @(F1.65, AGC ON);0Lux with IR				
Image setting	Flip, Mirror, Saturation, Brightness, Contrast, Sharpness, AGC, etc. adjusted by client				
Shutter Speed	50Hz: 1/25 s~1/25,000s, 60Hz: 1/30s~1/30,000s				
White Balance	Auto/Manual/Indoor/Outdoor				
Gain control	Auto/Manual				
Day & Night control	Auto/Manual ,time schedule				
Iris control	Auto/Manual				
SNR	≥52dB				
3D DNR	Auto/Manual				
AE Enhancement	BLC, HLC, WDR				
Privacy Mask	4 areas, up to 8 mask per request				
Picture overlay	Logo picture could be overlaid on video with 128x128pixels,24bits BMP format				
OSD overlay	max 15 characters/line, 8 lines, white or red font color				
Lens					
Focus length	f=4.8-120mm lens,25x optical zoom				
Zoom Speed	Approx. 3.6s (optical zoom, wide-tele)				
Field of View	Horizontal: 57.6 °~2.4 °; Vertical: 33.4 °~ 1.4 °; Diagonal: 64.5 °~ 2.9 °(wide-tele) ±5%				
Working distance	wide: 1.0m ~ INF; tele: 1.5m ~ INF				
Iris Range	F1.65 ~ F3.8 (wide-tele)				
IRCut type	Removable IRCUT filter				
DORI distance	Focus length	detect(25px/m)	Observe(63px/m)	Recognize(125px/m)	Identify(250px/m)
	f=4.8mm	138.2m	54.84m	27.64m	13.82m
	f=120mm	3310m	1313.5m	662m	331m
PTZ					
Pan Range	360 °endless				
Pan speed	Configurable, from 0.1~200 %s; Preset speed: 240 %s				
Tilt Range	From -10 °to 90 °,auto flip				
Tilt Speed	Configurable, from 0.1 ~ 200 %s, Preset speed: 240 %s				
Proportional Zoom	Yes				
Preset	360				
Cruise	8 cruises, up to 16 presets for each cruises				
Trace	4 traces, record time over 3 minutes for each trace				
Power off memory	Support				
Action mode	Preset/Cruise/Trace/Auto Scan/Random Scan				
3D Positioning	Support				
PTZ Position Display	Support				
Schedule Task	Preset/Cruise/Trace/Random Scan/Boundary Scanning /Dome reboot				
IR					
IR Distance	150m (492 f.t.) ,dual stack IR LED array, 6pcs into 3groups				
Smart IR	Yes				
Network					
Main stream	50Hz: 3840 × 2160,2560 × 1440,1920 × 1080,1280 × 960,1280 × 720, @25fps 60Hz: 30fps:3840 × 2160,2560 × 1440,1920 × 1080,1280 × 960,1280 × 720, @30fps				
Sub stream	50Hz: (704 × 576, 640 × 480, 352 × 288) @25fps 60Hz: (704 × 480, 640 × 480, 352 × 240) @30fps				
Third Stream	50Hz:(1920 × 1080, 1280 × 960, 1280 × 720, 704 × 576, 640 × 480, 352 × 288) @25fps 60Hz:(1920 × 1080, 1280 × 960, 1280 × 720, 704 × 480, 640 × 480, 352 × 240) @30fps				
Video compression	H.265+/H.265/H.264+/H.264/MJPEG				

H.264 Standard	H.264/AVC codec BP/MP/HP, Level 5.1
H.265 Standard	H.265/HEVC codec MP, level 5.0
Video Bit Rate	64 Kbps to 16Mbps
Audio compression	G.711 A/U
Audio Bit Rate	64K bps
Protocols	HTTP, HTTPS, IPv4/IPv6, 802.1x, QoS, FTP, SMTP, UPnP, SNMP,DNS, DDNS, NTP, RTSP, RTCP, RTP, TCP/IP, UDP, DHCP, PPPoE
User / Host	Up to 16 users, 3 levels: Administrator, Advanced User and Normal User
Security Measures	User authentication (ID and PW), Host authentication (MAC address); HTTPS encryption, IEEE802.1x port-based network access control; IP address filtering
Smart Features	
Basic event	Motion detection, Video tampering alarm, Exception(Network disconnected, IP address conflict, SD full, SD error)
Face recognize	Ver5.0.1:Detecting max 15-17 faces at same scene. Detecting, recognition, Ver5.1.1:and comparing, max 20Kpcs face ID storage
Road traffic	Vehicle detecting and tracking
Smart Detection	Tripwire, Bi-directional tripwire, Illegal intrusion detection, Region entrance detection, Region exiting detection, etc. More VCA per request.
Smart Tracking	smart tracking of human or vehicle, auto/manual
System Integration	
Alarm Interface	1 Alarm input(Dry contact); 1 Alarm output
Audio Interface	1 audio input(MIC in); 1 audio output, line level, impedance,600Ω
Alarm Linkage	Alarm actions, such as Preset, Cruise, Track, Memory Card Video Record, Trigger Recording, Notify Surveillance Center, Upload to FTP/Memory Card, Send Email, etc.
Network Interface	1 RJ45 10M/100M Adaptive Ethernet ,Support PoE+
SD Card Slot	One Micro SD slot, up to 256G
RS 485	N/A
BNC	N/A
Speaker	N/A
Reset button	Yes
Heater	Yes
Fan	Yes
Water removal	Remove water-drops by quick spinning
API	ONVIF, support TVT SDK and third-party management platform
Client	TVT N9000 1.4.5, TVT NVMS 2.0; and the third-party client, free iOS/Android APP
Web Browser	IE8-11
General	
Languages	Czech; English, German ; Hungarian ; Italian ; Japanese ; Korean ; Portuguese, Polish; Russian, Romanian, Spanish; Spanish(Mexico); Simplified Chinese; Turkish; Traditional Chinese.
Power Supply	DC12V ±25%,3000mA , PoE+ (802.3.at,class 3), max 24W include IR ON+PTZ working
Working condition	-40 °C ~ 60 °C (-40 °F ~ 140 °F), Cold start at - 30 °C(0.5Hour waiting); 90%RH
Storage condition	-40 °C ~ 70°C ; ≤ 95% RH
Protection	IP66, 6000V Lightning Protection, Surge Protection and Voltage Transient Protection
Material	Aluminum Alloy + Polymer (Plastic with glass fiber 15%)
Dimensions	Φ 173mm × 268mm (6.8 inch Φ × 10.55 inch)
Weight	Approx. 2.1 Kg (4.63 lb.)
Certification	IP66,IK10(excluding glass window),ROHS,CE,FC

Ordering information

TD-8483IS2N (PE/25M/AR15)	8MP 25X Starlight IR 150m Network 4-inch Smart PTZ Camera, IP66, -40°C~60°C, DC12V/PoE+, not include power adaptor and bracket
------------------------------	---

Dimensions:



Accessories(optional):



TD-YZJ0808
Wall mounting bracket



TD-YZJ0808+TD-YZJ0501
Pole mounting bracket



TD-YZJ0808+TD-YZJ0601
Corner mounting bracket



TD-YZJ0807
Pendant mounting bracket



TD-YZJ0305
Wall mounting bracket



TD-YZJ0305+YZJ0501
Pole mounting bracket



TD-YZJ0305+YZJ0601
Corner mounting bracket



TD-YZJ0701E
In-ceiling mounting bracket



TD-YZJ0311
Wall mounting bracket
with junction box



TD-YZJ0312
Pole mounting bracket
with junction box



TD-YZJ0313
Corner mounting bracket
with junction box



DC12V 3A
Power adaptor



P030U05 (UL/CE/FCC/BIS)
PoE+(30W) Midspan



ONV-POE31004PL
PoE+(30W) Switch



TD-K23
PTZ Keyboard

* All pictures and texts are for reference only. Actual product may vary due to product enhancement.

Shenzhen TVT Digital TECHNOLOGY CO.,LTD

Address: 23rd Floor, Block B4, Building No.9,Shenzhen Bay, Eco-Technology Park, Nanshan District, Shenzhen, Guangdong Province, P.R.China

Tel: +86-755-36995888

Web site: <http://en.tvt.net.cn>

Fax: +86-755-33104777

E-mail: overseas@tvt.net.cn