



## **TD-YZJ0202**

### **Wall Mounting Bracket**

#### **Features**

- Aluminum alloy material with surface spray treatment
- Camera cables can be perfectly collected to the bracket so that the installation look more elegant
- Wall mounting bracket for dome cameras

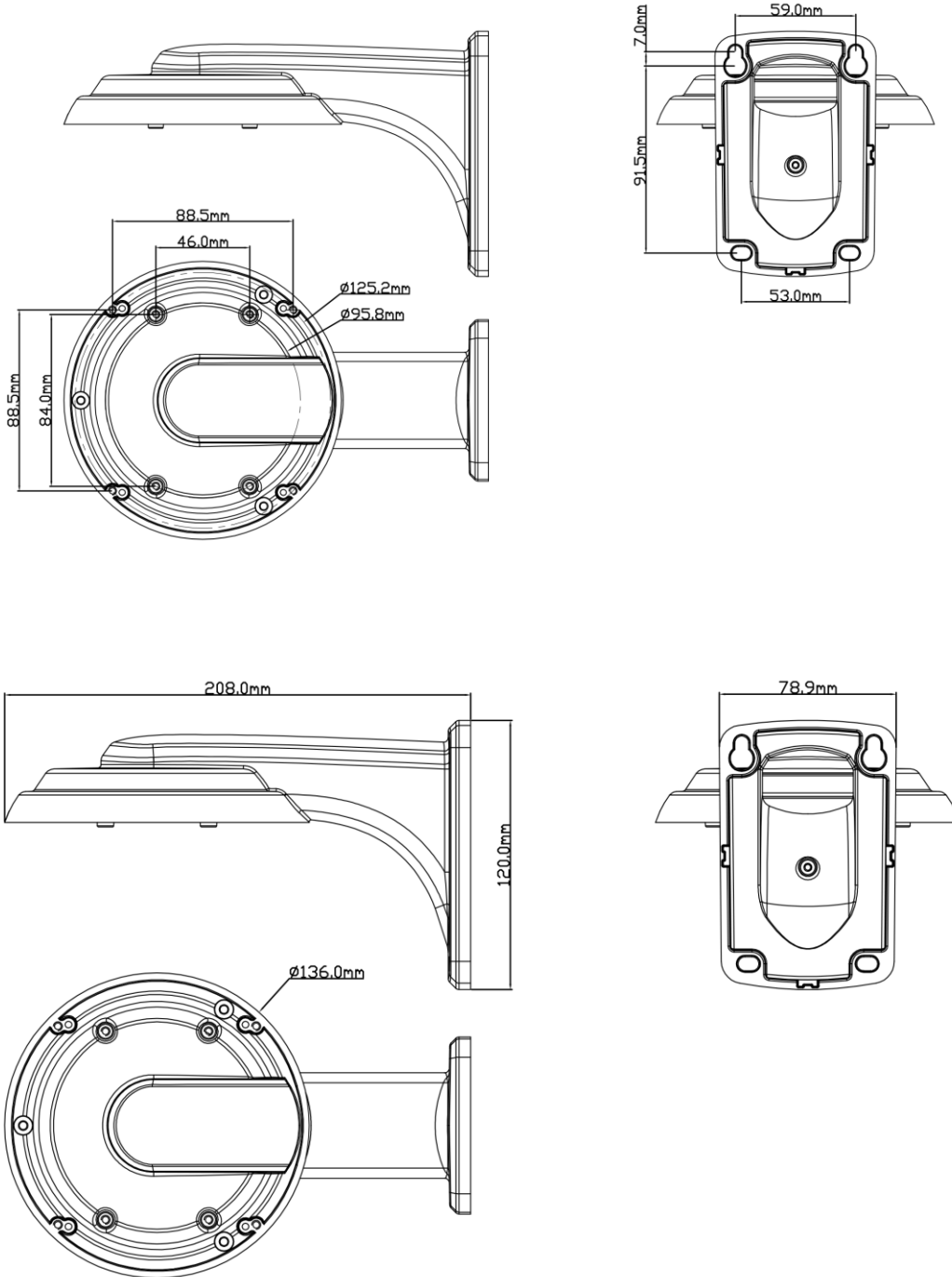
#### **Specifications**

Model	HD-YZJ0202
Material	Aluminum alloy
Color	White
Min. Packaging Quantity	24
Packing Size	580x395x458mm
Dimension	208 x136 x 120mm
Net Weight	290g
Load Bearing	The wall must be strong enough to withstand at least 3 times the weight of the camera and the bracket.
Working Temperature	-40°C~+60°C(-40°F~+140°F)
Working Humidity	10% ~ 90%

#### **Available Model**

Available Model	HD-YZJ0202	Wall mounting bracket
-----------------	------------	-----------------------

## Dimensions



**Shenzhen TVT Digital Technology Co., LTD.**

Address: 23<sup>rd</sup> Floor, Block B4, Building NO.9, Shenzhen Bay Eco-Technology Park, Nanshan District, Shenzhen, Guangdong Province, P.R. China

Tel: +86-755-36995888

Website: <http://en.tvt.net.cn>

Fax: +86-755-33104777

E-mail: [overseas@tvt.net.cn](mailto:overseas@tvt.net.cn)