

# DH-PFB2211C

## Ceiling Mount Bracket



- Built of aluminum alloy and SECC material, it is cost-effective.
- With its internal wiring, it is compact and suitable for a variety of cameras.
- It can be scaled from 475 to 800 mm.



### System Overview

Dahua Mounting Bracket works with front-end services, supporting installation methods such as wall mount, pole mount, corner mount and in-ceiling mount. Select brackets are designed to suit complex scenes, making them convenient to use in environments with high temperatures, humidity, frequent vibrations, and in locations that are highly corrosive. These highly reliable brackets are easy to install and use.

### Scene

Ideal for mounting cameras, and works in temperatures ranging from  $-40^{\circ}\text{C}$  to  $+60^{\circ}\text{C}$  ( $-40^{\circ}\text{F}$  to  $+140^{\circ}\text{F}$ ) and in environments with a relative humidity of less than 90%.

### Technical Specification

#### Structure

Casing Material	SECC; aluminum alloy
Product Dimensions	$\Phi 125.9\text{ mm} \times 475.0\text{ mm} - \Phi 125.9\text{ mm} \times 800.0\text{ mm}$ ( $\Phi 4.96" \times 18.70" - \Phi 4.96" \times 31.50"$ )
Appearance Color	White
Net Weight	0.60 kg (1.32 lb)
Gross Weight	0.79 kg (1.74 lb)
Load Bearing	1.0 kg (2.20 lb)
Installation	Ceiling mount
Applicable Model	Please see "Camera Accessories Selection"
Packaging Dimensions	$155.0\text{ mm} \times 155.0\text{ mm} \times 490.0\text{ mm}$ ( $6.10" \times 6.10" \times 19.29"$ ) (L x W x H)

#### Environment

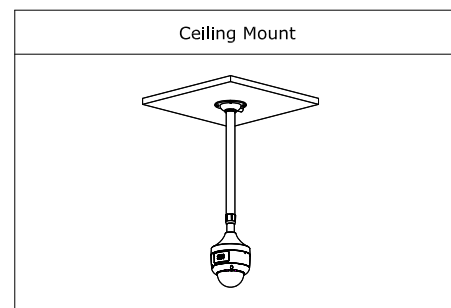
Operating Temperature	$-40^{\circ}\text{C}$ to $+60^{\circ}\text{C}$ ( $-40^{\circ}\text{F}$ to $+140^{\circ}\text{F}$ )
Operating Humidity	< 90% (RH)

Storage Temperature	$-40^{\circ}\text{C}$ to $+60^{\circ}\text{C}$ ( $-40^{\circ}\text{F}$ to $+140^{\circ}\text{F}$ )
Storage Humidity	10%–90% (RH)
Anti-corrosion Level	Basic Protection

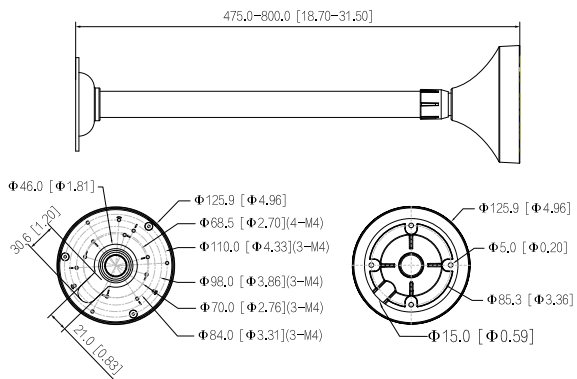
### Ordering Information

Type	Model	Description
Camera Mount	DH-PFB2211C	Ceiling Mount Bracket
	PFB2211C	Ceiling Mount Bracket

### Installation



## Dimensions (mm[inch])



## Package Information

- Ceiling mount bracket × 1
- M4x10 screw × 4
- ST4x25 screws × 4
- Plastic expansion bolt × 4
- S3.0 Wrench × 1
- Mounting Sticker × 1