

DH-PFA13F

Junction Box



Features

- Aesthetic design, indoor
- Material: aluminum alloy +SECC
- Water-proof junction box
- Suitable for SD1A/12 series PTZ network cameras

Technical Specification

Model	DH-PFA13F
--------------	------------------

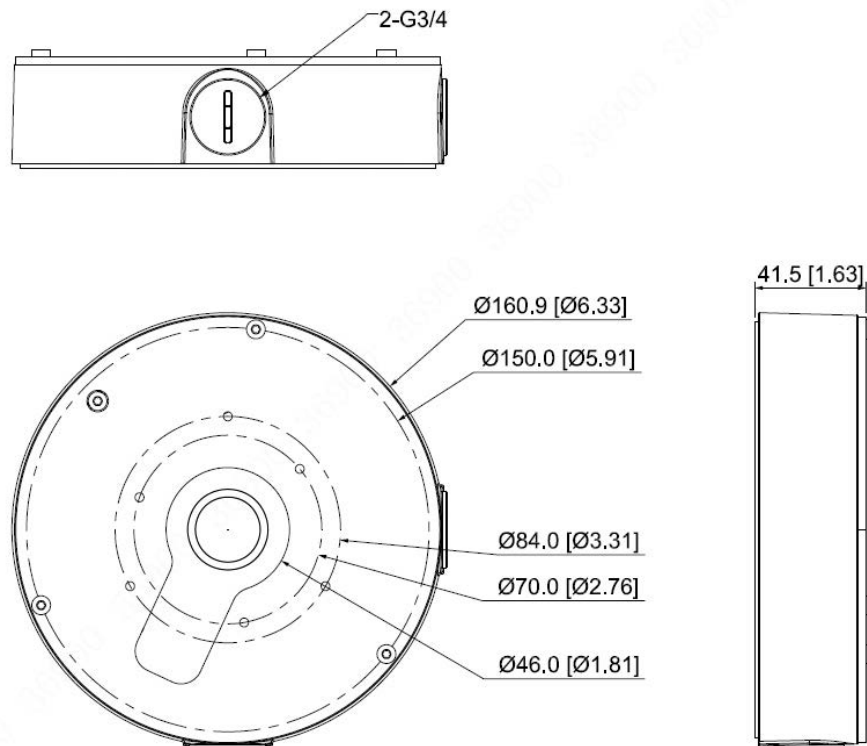
General

Material	Aluminum alloy + SECC
Dimension (WxHxD)	Φ160mmx41.5mm (φ6.3"x1.63")
Weight	0.87kg (1.92lb)
Load Bearing	3kg (6.61lb)
Color	White
Operating Temperature	-40 °C ~+60 °C (-40 °F ~+140 °F)
Humidity	0~90% RH
Applicable Model	Please see "Accessory Selector" on www.dahuasecurity.com

Ordering Information

Type	Part Number	Description
Camera Mount Series	DH-PFA13F	Junction box
	PFA13F	Junction box

Dimension(mm/inch)



Application



Package Information

- Junction box *1
- M4x8 screw *3
- ST6x45-SUS screw *4
- ST6 plastic anchor *4
- S3.0 wrench *1