

MIC Alarm/Washer Interface Unit

www.boschsecurity.com



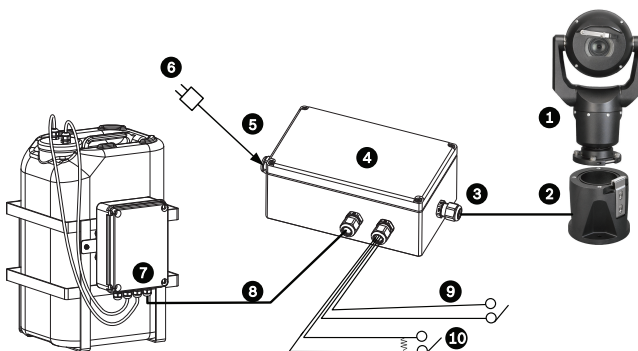
BOSCH
Invented for life



- ▶ Provides alarm and washer interface connections for MIC7000 cameras
- ▶ Impact-resistant polycarbonate enclosure rated to IP67 and NEMA 4X
- ▶ Watertight cable glands included
- ▶ Push button to activate/test connected washer pump

The MIC Alarm/Washer Interface unit consists of a weatherproof enclosure that houses surge-protected interface connections for alarm inputs, alarm outputs, washer relay, power connection, and serial data link to MIC7000 cameras. The unit is equipped with removal screw terminal blocks to simplify attachment of electrical connections to external cabling. Board mounted LED indicators provide status and diagnostic feedback.

System overview



Typical configuration with MIC-ALM-WAS-24

- | | |
|---|---|
| 1 MIC7000 camera | 6 24 VAC Power pack, 1A, 50/60 Hz (user-supplied) |
| 2 MIC Hinged DCA (MIC-DCA-Hx) | 7 Washer pump accessory |
| 3 RS-485 cable, 3-conductor (user-supplied) | 8 Interface cable for washer control (user-supplied) |
| 4 MIC-ALM-WAS-24 enclosure | 9 Alarm input / output interface cables (user-supplied) |
| 5 Interface cable for 24 VAC (user-supplied) for MIC-ALM-WAS-24 | 10 Monitored switch for Tamper Alarm (user-supplied) |

Certifications and approvals

Electromagnetic Compatibility (EMC)	Complies with FCC Part 15, ICES-003, and CE regulations, including latest versions of EN 50130-4, EN 55022:2006 inc. AL:2007, EN 61000-3-3, EN 61000-6-1, EN 61000-6-2, and EN 50121-4 (Railway applications)
-------------------------------------	---

Product Safety	Complies with UL, CE, CSA, EN, and IEC Standards 60950-1 & 22
----------------	---

IEC 61000-4-2 (ESD), IEC 61000-4-4 (EFT), IEC 61000-4-5 (surge)

Ingress Protection Rating/ Standard	IP67 NEMA 4, 4X, 6, 12, 13
-------------------------------------	-------------------------------

Parts included

- Enclosure with three (3) watertight M16 cable glands and one (1) M16 blanking plug installed
- One (1) watertight M16 cable gland, uninstalled
- Four (4) Pozidriv screws for lid
- Four (4) screw caps to cover the lid screws
- Installation Manual

Technical specifications

Electrical

Input Voltage	120 V
Output Voltage	24 VAC/VDC, 50/60 Hz
Power Consumption	5 A maximum
Current Consumption	1 A

Surge Suppression

Protection on RS-485	Peak current 10 A, peak power 300 W (8/20 μ)
Protection on Alarm Inputs	Peak current 17 A, peak power 300 W (8/20 μ)
Protection on Alarm Outputs	Peak current 2 A, peak power 300 W (8/20 μ)
Protection on Relay Outputs	Peak current 7.3 A, peak power 600 W (10/1000 μ)
Protection on Power Input (Camera)	Peak current 7.3 A, peak power 600 W (10/1000 μ)

Miscellaneous

LEDs	Red LED (ON indicates power on) Green LEDs (blinking indicates activation for each alarm input) Yellow LED (blinking indicates active communication between the MIC-ALM-WAS-24 and the MIC7000 camera)
Communications Protocol	Proprietary half-duplex RS-485, 57600 baud

User Connections

Power	24 VAC \pm 10%, 50/60 Hz
Alarm Input	4 normal dry contacts (selectable N.O./N.C.) 2 monitored tamper alarm inputs, 2.2K ohm end-of-line termination
Alarm Output	3 open collector outputs, 32 VDC, 150 mA
Relay Output	1 dry contact relay, 250 V, 5 A (for washer pump)
Alarm/Data	3-wire RS-485 (to external alarm/washer accessory unit) up to 100 m

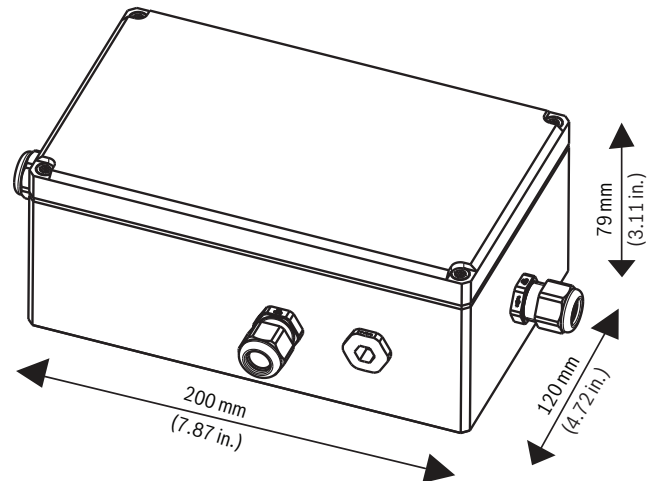
Environmental

Ingress Protection Rating/ Standard	IP67 NEMA 4, 4X, 6, 12, 13
Operating Temperature	-40 °C to +60 °C (-40 °F to +140 °F)
Cold Start-up Temperature	-40 °C (-40 °F) (Requires 60 minute warm-up prior to operation)
Storage Temperature	-40 °C to +70 °C (-40 °F to +158 °F)
Humidity	0-100%

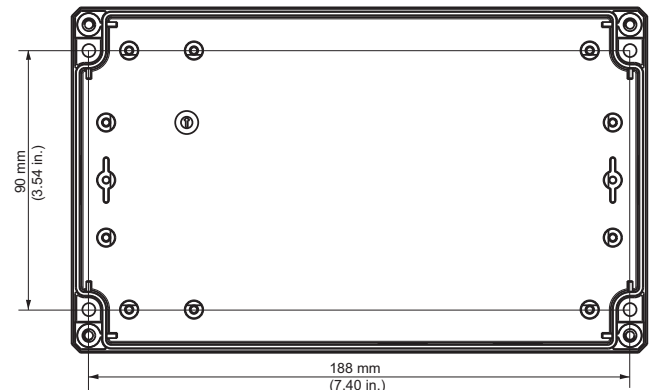
Construction

Dimensions (L x W x H)	153 mm x 79 mm x 73 mm (6.02 in. x 3.17 in. x 2.87 in.)
Weight	0.6 kg (1.3 lb)
Construction Material	Polycarbonate
Standard Color	Grey (RAL 7035)
Standard Finish	Sand finish

Dimensional Drawings



Dimensional drawing, MIC-ALM-WAS-24



Dimensions, mounting holes, MIC-ALM-WAS-24

Ordering information

MIC7000 Alarm/Washer Interface Unit

Interface box for alarms and washer pump connections for MIC7000 cameras, 24 VAC. Impact-resistant polycarbonate enclosure, rated to IP67 and NEMA 4X, with four (4) watertight glands. Grey (RAL 7035).

Order number **MIC-ALM-WAS-24**

Represented by:

Americas:

Bosch Security Systems, Inc.
130 Perinton Parkway
Fairport, New York, 14450, USA
Phone: +1 800 289 0096
Fax: +1 585 223 9180
security.sales@us.bosch.com
www.boschsecurity.us

Europe, Middle East, Africa:

Bosch Security Systems B.V.
P.O. Box 80002
5617 BA Eindhoven, The Netherlands
Phone: + 31 40 2577 284
Fax: +31 40 2577 330
emea.securitysystems@bosch.com
www.boschsecurity.com

Asia-Pacific:

Robert Bosch (SEA) Pte Ltd, Security Systems
11 Bishan Street 21
Singapore 573943
Phone: +65 6571 2808
Fax: +65 6571 2699
apr.securitysystems@bosch.com
www.boschsecurity.asia

China:

Bosch (Shanghai) Security Systems Ltd.
201 Building, No. 333 Fuquan Road
North IBP
Changning District, Shanghai
200335 China
Phone +86 21 22181111
Fax: +86 21 22182398
www.boschsecurity.com.cn

America Latina:

Robert Bosch Ltda Security Systems Division
Via Anhanguera, Km 98
CEP 13065-900
Campinas, Sao Paulo, Brazil
Phone: +55 19 2103 2860
Fax: +55 19 2103 2862
latam.boschsecurity@bosch.com
www.boschsecurity.com